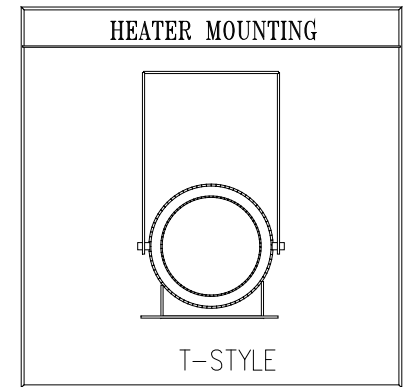
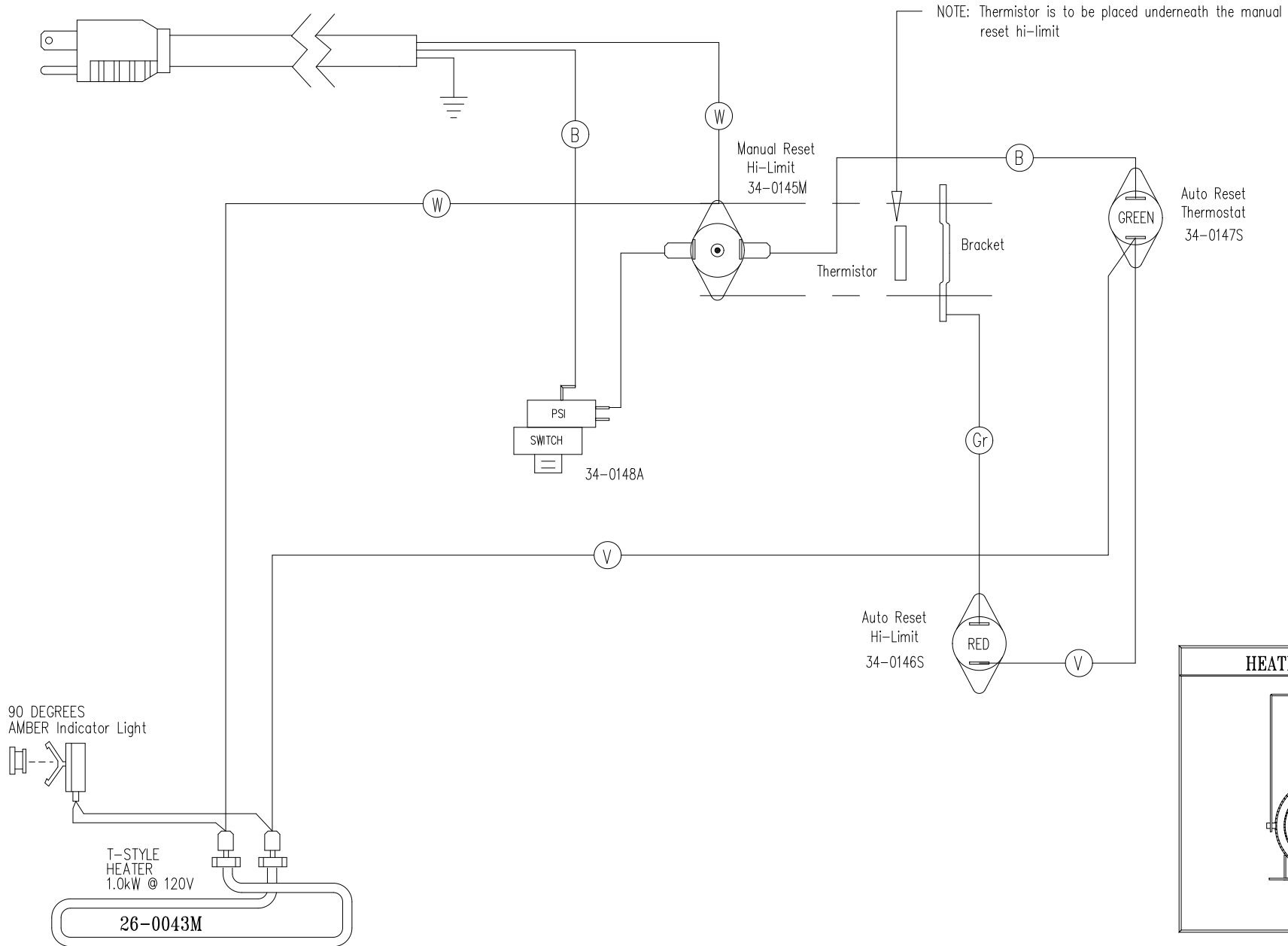


3 FOOT 15 AMP POWER CORD



**HYDRO-QUIP**  
CORONA, CA (909) 273-7575

Manufacture Notes:

Approved By:

Dwg. No.  
**BT-32AA-D**

Drawn  
CDV

Rev  
0

Date  
6.30.00

Diagram  
No. **1271-C**

Wire Color Code

|            |            |
|------------|------------|
| B - Black  | G - Green  |
| Br - Brown | Bl - Blue  |
| R - Red    | V - Violet |
| O - Orange | W - White  |
| Y - Yellow | Gr - Gray  |